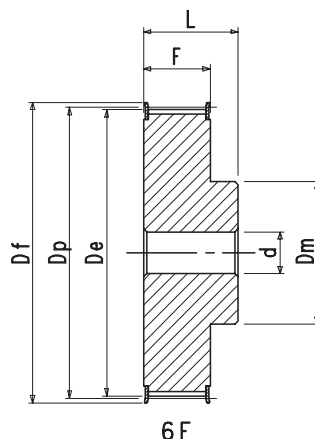
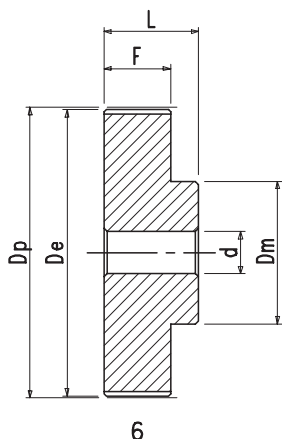


POLIAS AT5 10

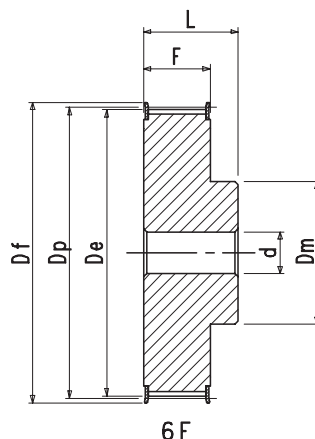
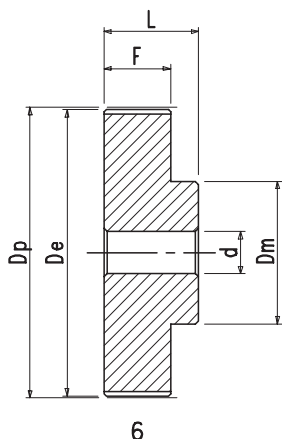
Faça download de nossos desenhos padrões.



AT5 10 Referência	Número de Dentes	Dp	De	Df	Dm	F	L	d	Peso kg
21 AT 5/12-6F	12	19,10	17,85	23,0	11	15	21	—	0,020
21 AT 5/14-6F	14	22,28	21,05	25,0	14	15	21	—	0,020
21 AT 5/15-6F	15	23,87	22,65	28,0	16	15	21	6	0,020
21 AT 5/16-6F	16	25,46	24,20	32,0	18	15	21	6	0,030
21 AT 5/18-6F	18	28,65	27,40	32,0	20	15	21	6	0,030
21 AT 5/19-6F	19	30,24	29,00	36,0	22	15	21	6	0,040
21 AT 5/20-6F	20	31,83	30,60	36,0	23	15	21	6	0,040
21 AT 5/22-6F	22	35,01	33,85	38,0	24	15	21	6	0,050
21 AT 5/24-6F	24	38,20	37,00	42,0	26	15	21	6	0,060
21 AT 5/25-6F	25	39,79	38,60	44,0	26	15	21	6	0,060
21 AT 5/26-6F	26	41,38	40,20	44,0	26	15	21	6	0,060
21 AT 5/27-6F	27	42,97	41,80	48,0	30	15	21	8	0,070
21 AT 5/28-6F	28	44,56	43,35	48,0	32	15	21	8	0,080
21 AT 5/30-6F	30	47,75	46,55	51,0	34	15	21	8	0,090
21 AT 5/32-6F	32	50,93	49,70	54,0	38	15	21	8	0,100
21 AT 5/36-6F	36	57,30	56,05	63,0	38	15	21	8	0,130
21 AT 5/40-6F	40	63,66	62,45	66,0	40	15	21	8	0,150
21 AT 5/42-6F	42	66,84	65,60	71,0	40	15	21	8	0,180
21 AT 5/44-6	44	70,03	68,80	—	45	15	21	8	0,170
21 AT 5/48-6	48	76,39	75,15	—	50	15	21	8	0,210
21 AT 5/60-6	60	95,49	94,25	—	65	15	21	8	0,330

POLIAS AT5 16

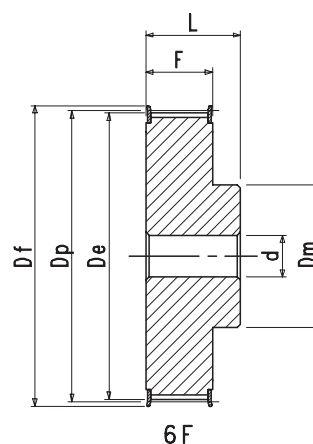
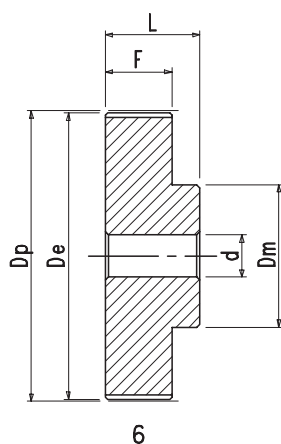
Faça download de nossos desenhos padrões.



AT5 16 Referência	Número de Dentes	Dp	De	Df	Dm	F	L	d	Peso kg
27 AT 5/12-6F	12	19,10	17,85	23,0	11	21	27	—	0,020
27 AT 5/14-6F	14	22,28	21,05	25,0	14	21	27	—	0,030
27 AT 5/15-6F	15	23,87	22,65	28,0	16	21	27	6	0,030
27 AT 5/16-6F	16	25,46	24,20	32,0	18	21	27	6	0,040
27 AT 5/18-6F	18	28,65	27,40	32,0	20	21	27	6	0,050
27 AT 5/19-6F	19	30,24	29,00	36,0	22	21	27	6	0,050
27 AT 5/20-6F	20	31,83	30,60	36,0	23	21	27	6	0,050
27 AT 5/22-6F	22	35,01	33,85	38,0	24	21	27	6	0,060
27 AT 5/24-6F	24	38,20	37,00	42,0	26	21	27	6	0,070
27 AT 5/25-6F	25	39,79	38,60	44,0	26	21	27	6	0,080
27 AT 5/26-6F	26	41,38	40,20	44,0	26	21	27	6	0,090
27 AT 5/27-6F	27	42,97	41,80	48,0	30	21	27	8	0,100
27 AT 5/28-6F	28	44,56	43,35	48,0	32	21	27	8	0,100
27 AT 5/30-6F	30	47,75	46,55	51,0	34	21	27	8	0,120
27 AT 5/32-6F	32	50,93	49,70	54,0	38	21	27	8	0,130
27 AT 5/36-6F	36	57,30	56,05	63,0	38	21	27	8	0,170
27 AT 5/40-6F	40	63,66	62,45	66,0	40	21	27	8	0,200
27 AT 5/42-6F	42	66,84	65,60	71,0	40	21	27	8	0,220
27 AT 5/44-6	44	70,03	68,80	—	45	21	27	8	0,230
27 AT 5/48-6	48	76,39	75,15	—	50	21	27	8	0,280
27 AT 5/60-6	60	95,49	94,25	—	65	21	27	8	0,440

POLIAS AT5 25

Faça download de nossos desenhos padrões.



AT5 25 Referência	Número de Dentes	Dp	De	Df	Dm	F	L	d	Peso kg
36 AT 5/12-6F	12	19,10	17,85	23,0	11	30	36	—	0,020
36 AT 5/14-6F	14	22,28	21,05	25,0	14	30	36	—	0,032
36 AT 5/15-6F	15	23,87	22,65	28,0	16	30	36	6	0,040
36 AT 5/16-6F	16	25,46	24,20	32,0	18	30	36	6	0,040
36 AT 5/18-6F	18	28,65	27,40	32,0	20	30	36	6	0,050
36 AT 5/19-6F	19	30,24	29,00	36,0	22	30	36	6	0,070
36 AT 5/20-6F	20	31,83	30,60	36,0	23	30	36	6	0,070
36 AT 5/22-6F	22	35,01	33,85	38,0	24	30	36	6	0,080
36 AT 5/24-6F	24	38,20	37,00	42,0	26	30	36	8	0,090
36 AT 5/25-6F	25	39,79	38,60	44,0	26	30	36	8	0,090
36 AT 5/26-6F	26	41,38	40,20	44,0	26	30	36	8	0,110
36 AT 5/27-6F	27	42,97	41,80	48,0	30	30	36	8	0,120
36 AT 5/28-6F	28	44,56	43,35	48,0	32	30	36	8	0,130
36 AT 5/30-6F	30	47,75	46,55	51,0	34	30	36	8	0,150
36 AT 5/32-6F	32	50,93	49,70	54,0	38	30	36	8	0,170
36 AT 5/36-6F	36	57,30	56,05	63,0	38	30	36	8	0,220
36 AT 5/40-6F	40	63,66	62,45	66,0	40	30	36	8	0,270
36 AT 5/42-6F	42	66,84	65,60	71,0	40	30	36	8	0,300
36 AT 5/44-6	44	70,03	68,80	—	45	30	36	8	0,320
36 AT 5/48-6	48	76,39	75,15	—	50	30	36	8	0,390
36 AT 5/60-6	60	95,49	94,25	—	65	30	36	8	0,610